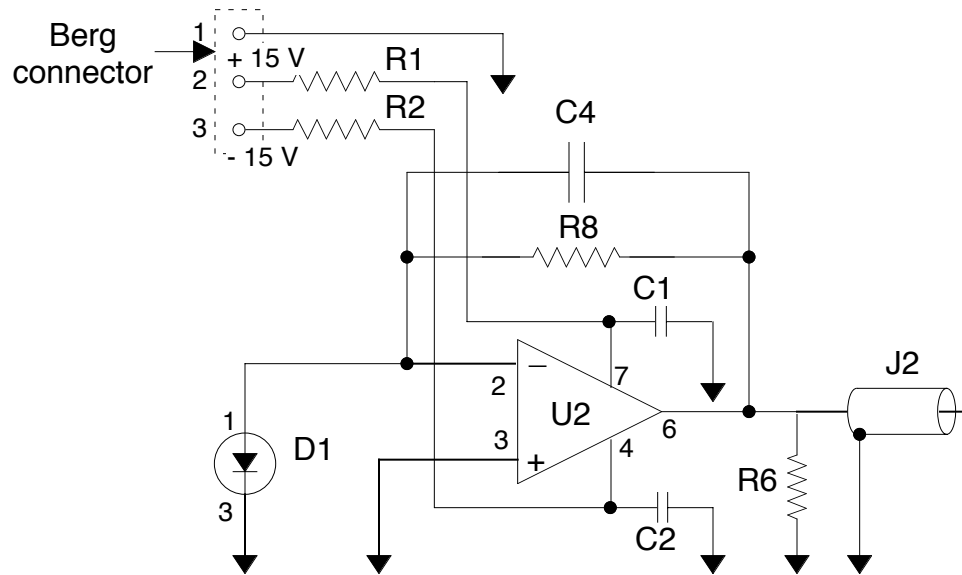


Large-area photodiode electronics (mounted on BES electronics PCB)



Dark lines indicate jumpers required.

Parts list

D1: photodiode (provided)

U2: LF357

C1: 1 μ F

C2: 1 μ F

C4: 330 pF

R1: 100 Ω

R2: 100 Ω

R6: 2.5 k Ω

R8: 0 - 500 k Ω ceram. pot.

J2: SMB jack

R. Bravenec
471-3675
11/1/02