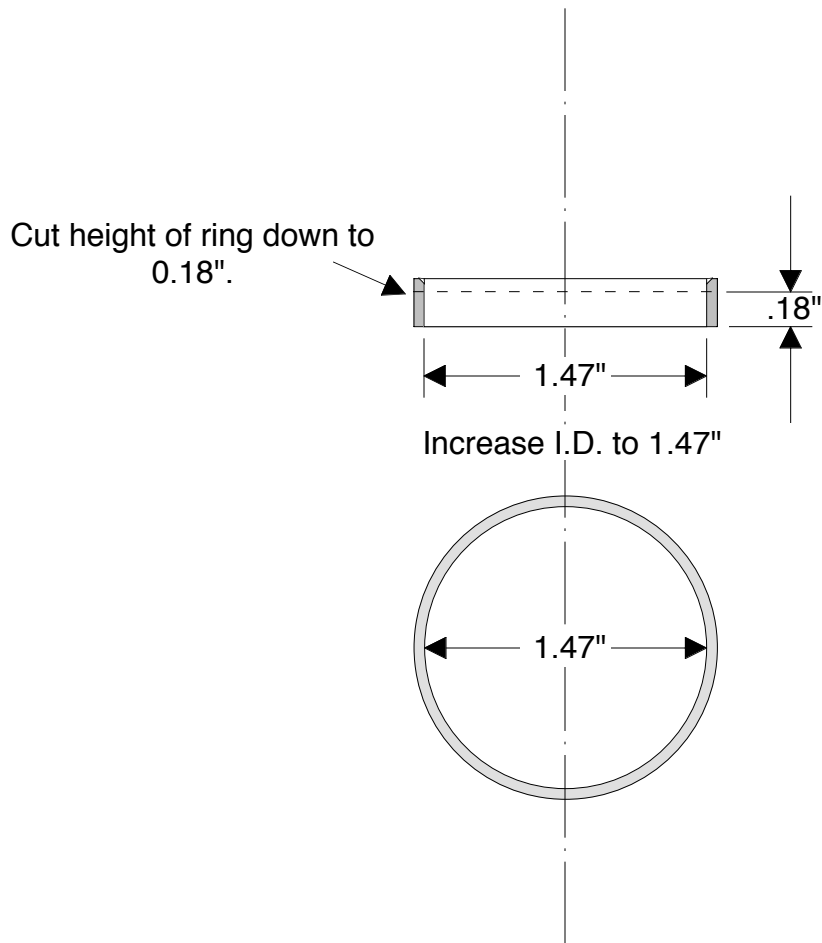


Retaining Ring Mod.

(8 req'd. Aluminum rings provided.)



scale: full

11/22/02

Ron Bravenec

471-3675

Matt Sampsell

471-6567

sellam@mail.utexas.edu