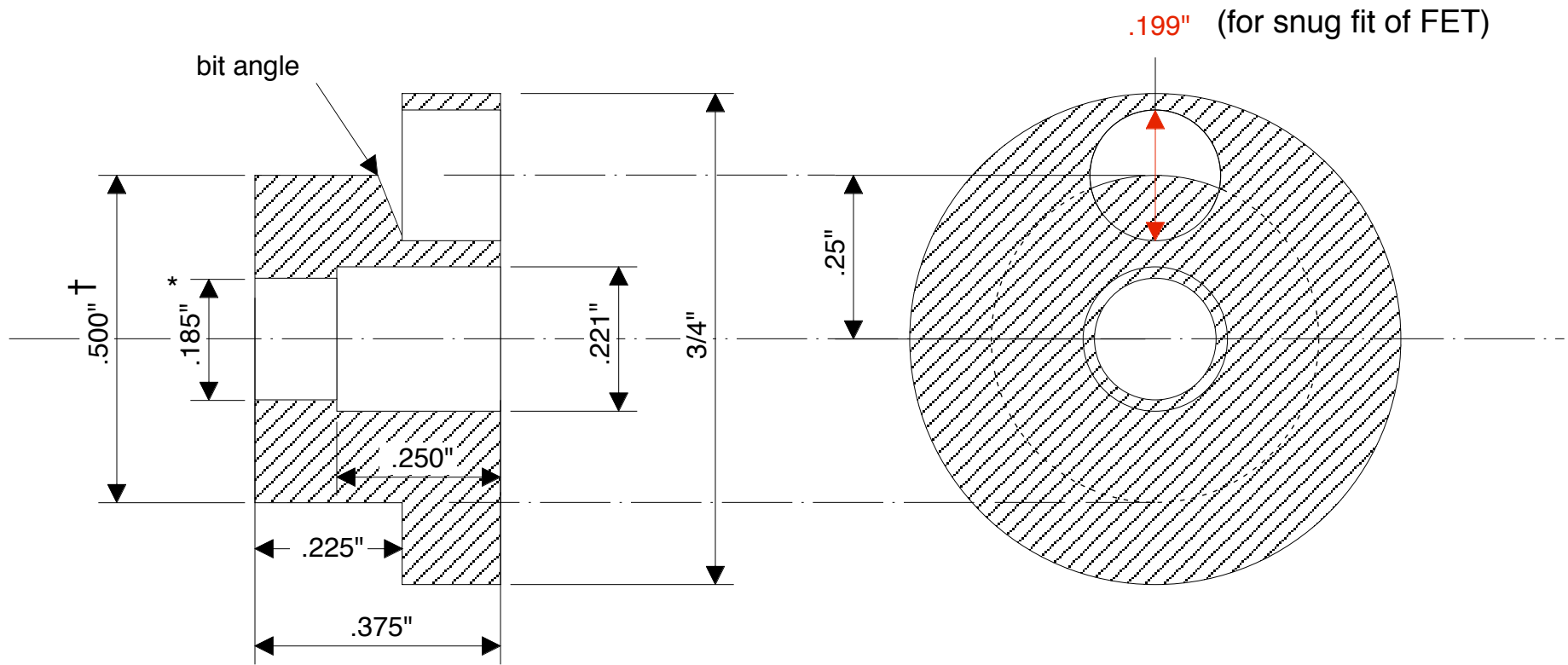


# BES Detector/FET Mount

Mat'l: Cu, 10 Req'd



Scale: 4:1

† For snug fit into heat sink

\* For snug fit of detector

5/7/97  
Rev. 6/12/97  
Ron Bravenec  
471-3675