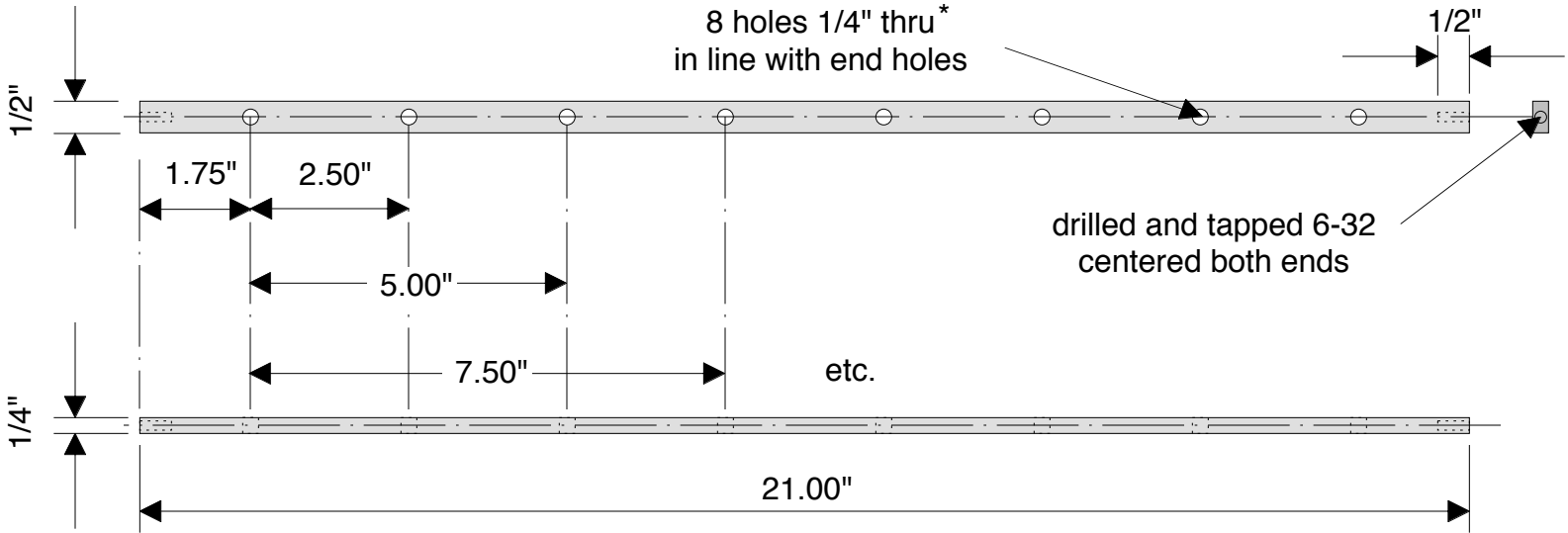


Filter Holder Support

Mat'l: 1/2 x 1/4" Al bar



*for slip-fit of 1/4-20 set screws

Scale: 1:3

Ron Bravenec 5/22/97
471-3675