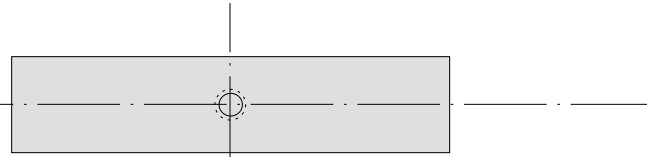


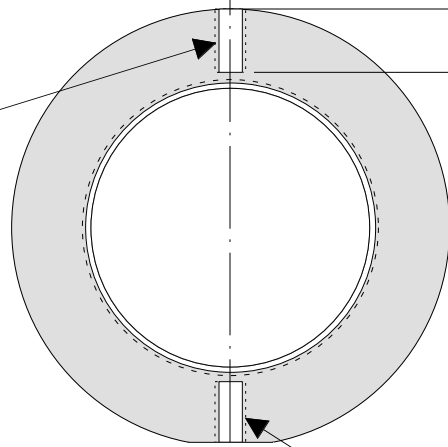
Filter Holders

Matr'l: Thorlabs 1.5" optical component mounts (supplied)
10 Req'd

Drill and tap 8-32
along axis



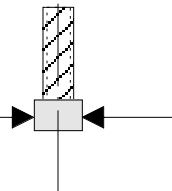
.33"



Existing 8-32 hole

Matr'l: 1/2" 8-32 cap screws
20 Req'd

.25"*



* to fit loosely into 6:1 vernier drives
(supplied)

Scale: full

Ron Bravenec 10/22/98
471-3675